

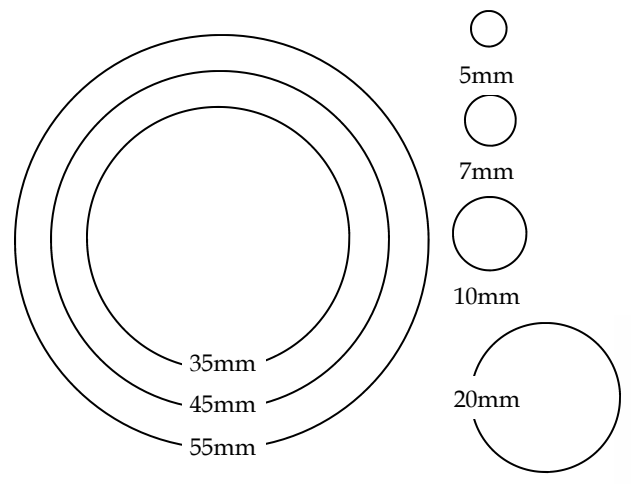
# Omni International Generator Probe Replacement Part Guide

Please print this page to assist in identifying the correct parts for your generator probe.



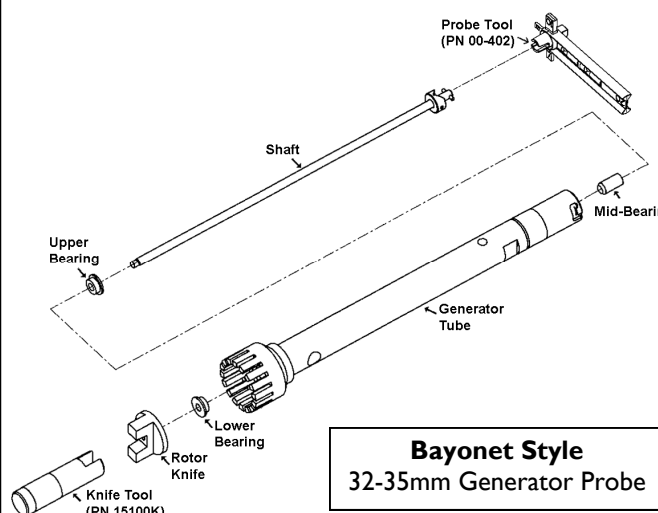
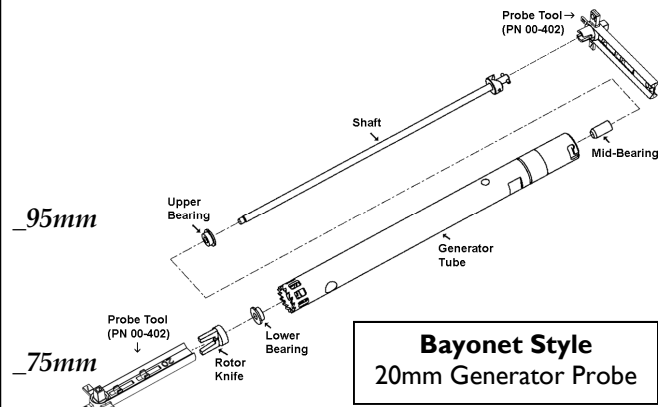
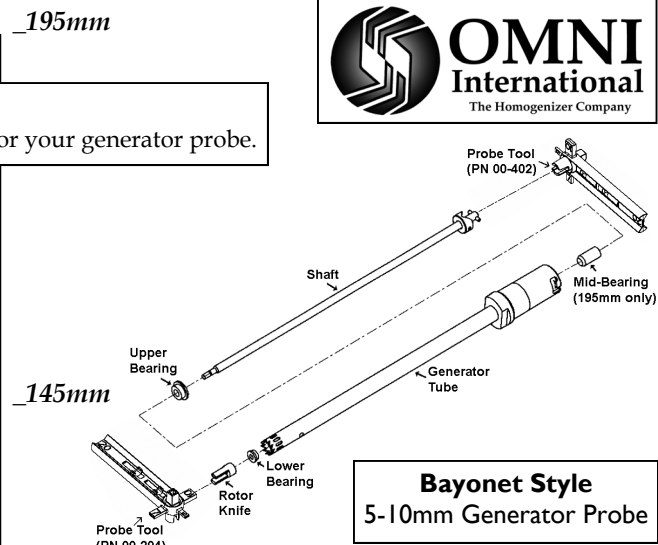
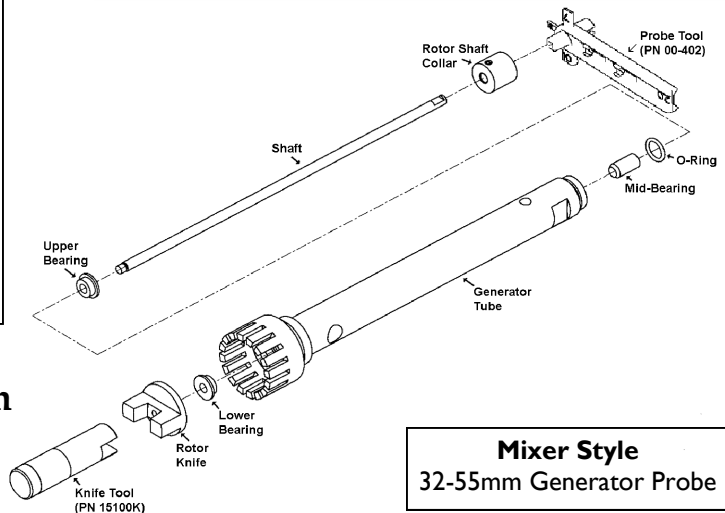
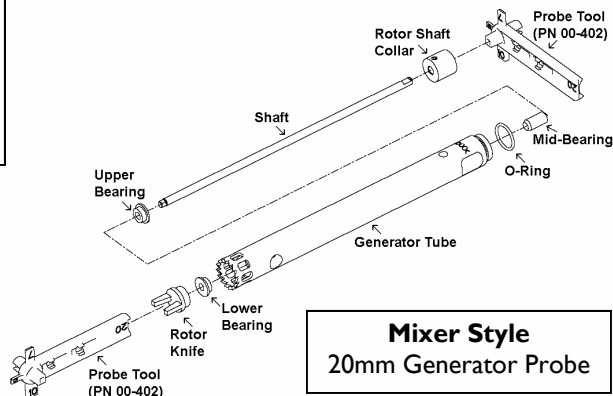
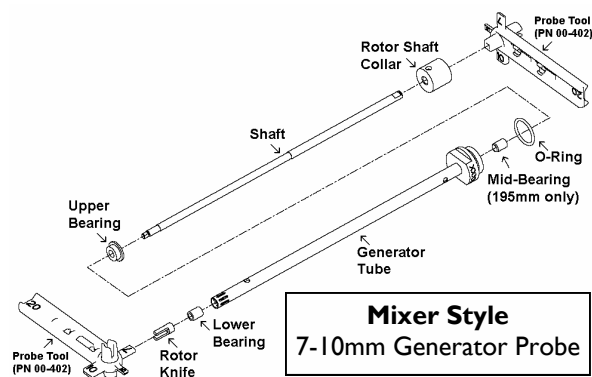
## Step 1. What size probe do you have?

Match the bottom of your generator probe to the circles shown below to determine the diameter of the probe. Use the marked divider line to the right to determine the length of your probe.



## Step 3. What parts do you need?

Use the diagrams below to identify the needed parts for your generator probe.



## Step 2. What style probe do you have?

Match the connection end of your generator probe to one of the photos below.



Mixer Style



Bayonet Style

TheHomogenizerCompany.com  
1-800-776-4431